

Readalux Bulkhead

Bedhead Luminaire

Product Specification



HIGH RISK



MENTAL HEALTH



CUSTODIAL



INFRASTRUCTURE

Features & Benefits

- Readalux Bulkhead is a bedhead fitting with a unique lens designed to diffuse the LEDs evenly, with high impact resistance and high efficacy.
- Zinc coated steel body with a high output polycarbonate, anti-vandal diffuser
- Flush mounting with tamper-proof screws
- IP54 and IK15 rated (125J)
- Removable gear tray
- Rear cable entry
- Fixed output, maintained and non-maintained integral three-hour duration emergency options available, including self-test, DALI, and wireless monitoring
- Reduced ligature construction for increased occupant safety
- Optional vandal resistant switch for switching and dimming available

Primary Applications

High Risk

Designed for low, medium and high-risk secure services

Custodial

Communal areas

Mental Health

Bedrooms, corridors, stairwells and day rooms

Infrastructure

Waiting rooms and covered or sheltered areas

Specification Assist

Bedhead bulkhead, vandal resistant >IK15 (50J) and >IP54 with 1.2mm zinc coated steel body and 4mm polycarbonate LED Opal lens, secured with Resistorex screws. Part L compliant (>114lm/W), low flicker adjustable LED driver, replaceable LEDs with CRI >80 and lifetime in excess of 72,000 hours



Designed and
Manufactured
in the UK



+44 (0) 1787 881191
info@lightyearsahed.co.uk

lightyearsahed.co.uk

Church Field Road, Sudbury, Suffolk CO10 2YA

LIGHT YEARS AHEAD

Readalux Bulkhead

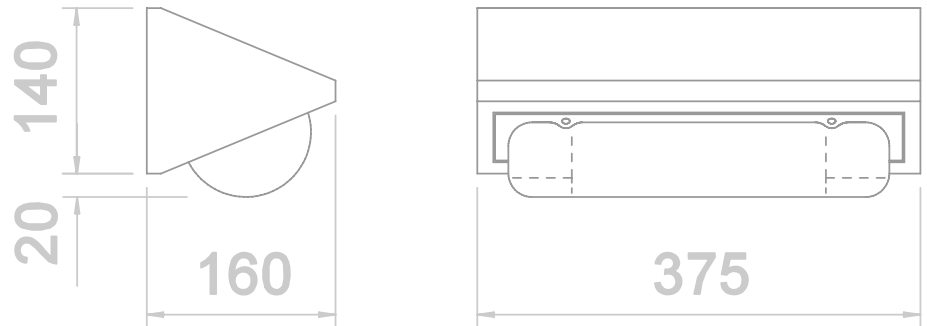
Bedhead Luminaire

Product Dimensions

Length 375mm

Depth 160mm

Height 160mm



Lighting Data

Product Code	CRI	Colour Temp	Lumens (lm)	Wattage (W)	lm/W	Weight (kg)
READB-L4-3K	>80	3000K	1235	11.0	118	2.0
READB-L6-3K	>80	3000K	1543	13.0	119	2.0
READB-L8-3K	>80	3000K	1852	16.0	116	2.0
READB-MX-3K	>80	3000K	2161	19.0	114	2.0

Optional Extras

Additional options are available. Please contact us for more information.

-EP	Integral emergency	-CB	Central battery inverter	-BT	Bluetooth control
-EPS	Integral self-test emergency	-DA	DALI	-NL	Night light
-EPD	Integral DALI emergency	-SD	Switch dim	-4K	4000K (5% higher lumen)
-EPH	Emergency high output	-MW	Microwave sensor	-VRS	Vandal resistant switch

For additional details on this or any other lighting products and solutions in the Light Years Ahead portfolio, please contact our expert team.

+44 (0) 1787 881191

info@lightyearsahead.co.uk

lightyearsahead.co.uk

Church Field Road, Sudbury, Suffolk CO10 2YA

LIGHT YEARS AHEAD

Light Years Ahead is a company registered in England & Wales. Registration Number: 10722911.