

ProtectaLUX LED

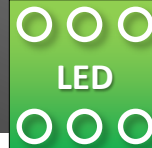
EMERGENCY

BULKHEAD



IK 10++

IP 65



Introduction

Light Years Ahead Ltd (LYA) is a leading UK manufacturer of anti-ligature, vandal resistant lighting solutions for the custodial, healthcare, civil and industrial sectors.

LYA have established a leading position in the custodial sector

with thousands of luminaires installed in prisons, courts and police stations across the UK and abroad. LYA's EnduraLUX and ProtectaLUX brands are renowned for their durability and include a range of Ministry of Justice approved products for use in safer and standard cells.

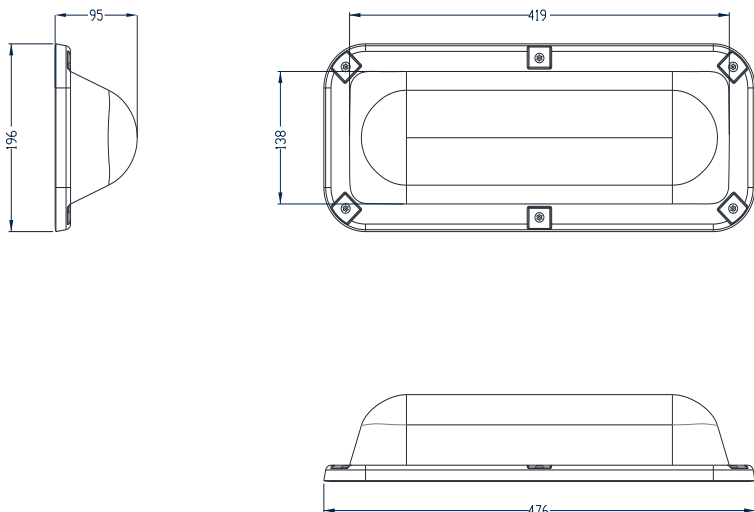
Primary Applications

Custodial	Corridors, service areas, stairwells, plant rooms, exit doors
Healthcare	Corridors, service areas, stairwells, exit doors
Civil & Industrial	Stair wells, subways, factories, exit doors

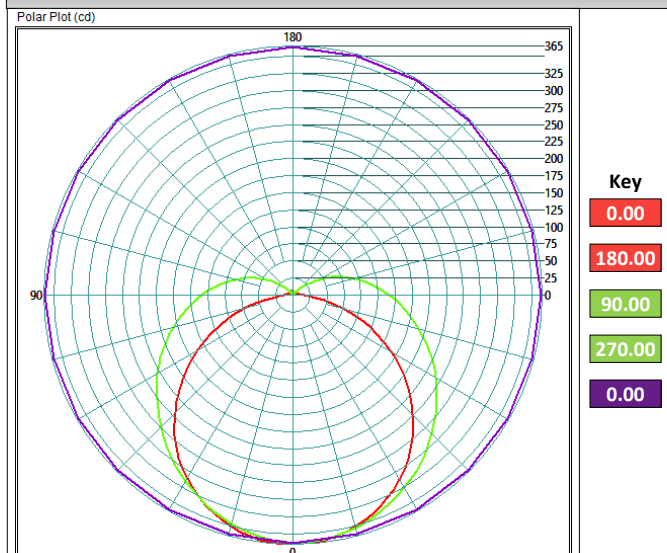
Features & Benefits

- Vandal resistant emergency bulkhead suitable for high risk environments
- High impact resistant (IK 10++) 5mm polycarbonate lens secured by tamper proof TORX security screws
- 1.5mm zintec coated mild steel powder coated (RAL 9003) base plate, removable GearTray and LED engine mounting plate
- Suitable for ceiling or wall mounting
- If flush mounted conduit entry through centre of base plate, mounting bracket for surface conduit entry
- Integral 3-hour duration emergency battery pack
- Maintained and non-maintained, Basic Test, Self-Test and Automatic Test options
- Fully compliant with IEC 60598-2-22:2014 & IEC 60598-1:2014

Product Dimensions



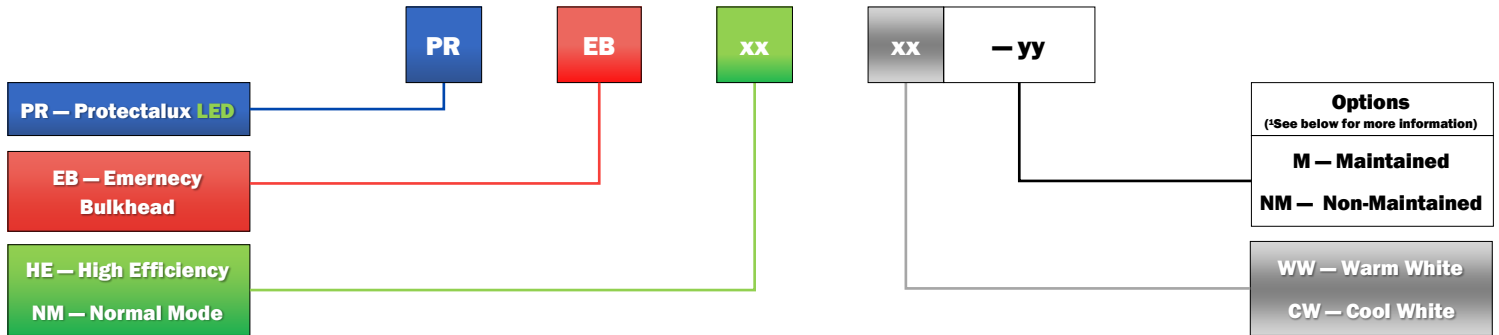
Polar Plot: PREB-NM-CW-M



ProtectaLUX LED EMERGENCY BULKHEAD

Ordering Guide & Lighting Data

IES / LDT Files available on Request



LIGHTING DATA—5MM OPAL/50 LENS

Product Code	CRI	Colour Temperature	Lumens (Lum)	Wattage (W)	Lum / W	Weight (Kg)
MAINS OPERATION						
PREB-NM-CW	>80	4000k	1,118	18.1	62	2.6
EMERGENCY OPERATION						
PREB-NM-CW-M	>80	4000k	404	Battery	N/A	2.6

Options

- Maintained — add suffix M
- Non-Maintained — add suffix NM
- Self-Test — add suffix ST
- Automatic Test — add suffix DA
- Conduit Mounting Bracket — add suffix MB

Installation

- Back plate or conduit mounting bracket secured to ceiling or wall by 8mm sleeve anchors or suitable equivalent
- GearTray and LED plate secured by M4 NYLOC nuts
- Lens secured by M6 TORX security screws (TX30 BO driver)

For additional details on the Protectalux LED product or other lighting products and solutions in the Light Years Ahead portfolio, please do not hesitate to contact our expert team using the contact information below.

