

Protectalux X

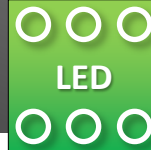
SAFER CELL

BULKHEAD LUMINAIRE



IK 10++

IP 65



Introduction

Light Years Ahead Ltd (LYA) is a leading UK manufacturer of anti-ligature, vandal resistant lighting solutions for the custodial, healthcare, civil and industrial sectors.

LYA have established a leading position in the custodial sector

with thousands of luminaires installed in prisons, courts and police stations across the UK and abroad. LYA's Enduralux and Protectalux brands are renowned for their durability and include a range of Ministry of Justice approved products for use in safer and standard cells.

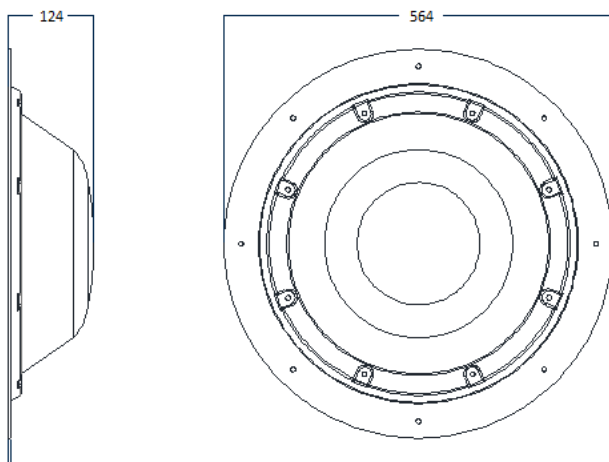
Primary Application – 'Safer' Cells

Custodial	Prison 'Safer' Cellular accommodation, toilet recesses and in-cell shower and washrooms
Healthcare	High risk patient toilets and washrooms

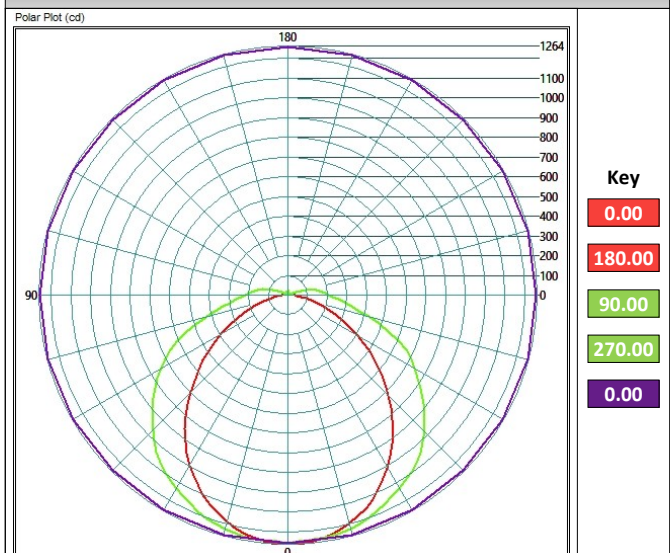
Features & Benefits

- Ministry of Justice (MoJ) approved anti-ligature vandal resistant luminaire suitable for 'Safer' Cellular accommodation
- T5 and LED versions on MoJ list of approved products tested in accordance with STD/E/SPEC/022
- Vandal resistant (IK 10++) 8mm opal polycarbonate lens secured by tamper proof TORX security screws
- 3.0mm mild steel powder coated (RAL 9003) protective cover band secured by M8 sleeve anchors
- 1.5mm zintec coated mild steel powder coated base plate, removable GearTray and LED engine plate
- Tridonic electronic componentry
- Suitable for ceiling or wall mounting
- Conduit entry through centre of base plate

Product Dimensions



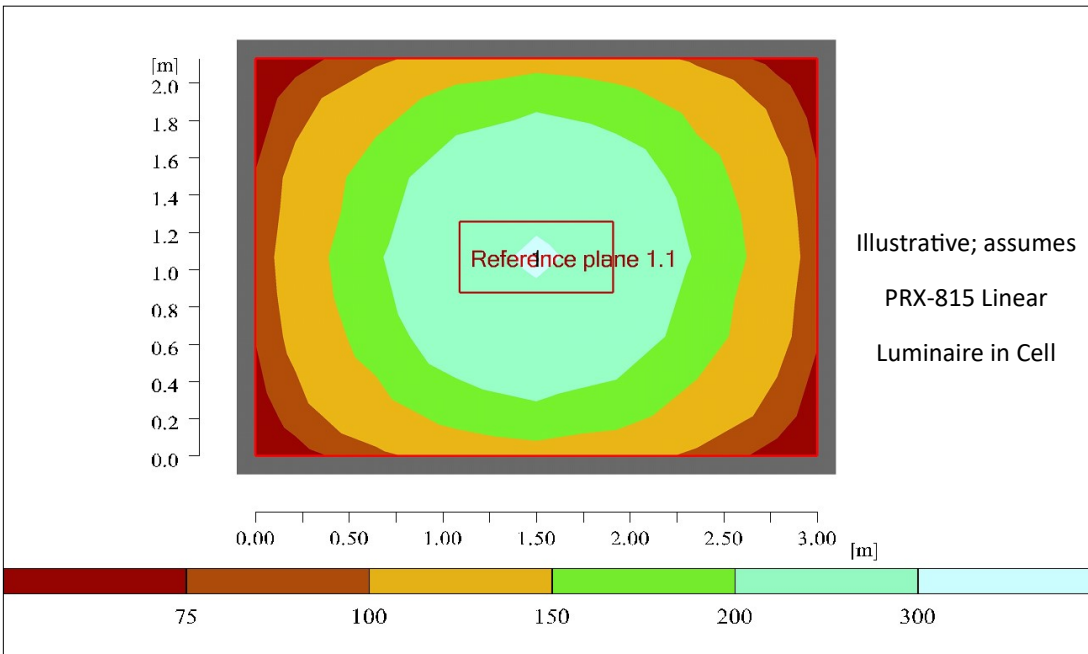
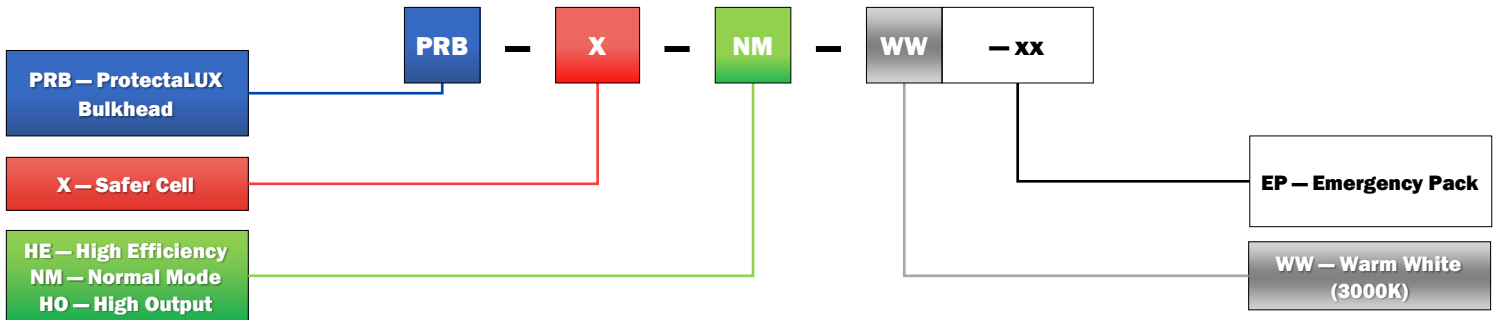
Polar Plot: PRBX-NM-WW



Protectalux X SAFER CELL BULKHEAD LUMINAIRE

Ordering Guide (Code: PRBX) & Lighting Data

IES / LDT Files available on Request



Key

Cell Dimensions;

- Length: 3.0m
- Width: 2.5m
- Height: 2.5m

Luminaire mounting: ceiling

Reference plane: 1.0m

Protectalux X Safer Cell

Bulkhead: 38 Watts

Standard Features

- Protective cover band and 8mm opal polycarbonate lens
- Mains output light level appropriate for toilet recesses and in-cell shower and washrooms
- 3000K colour temperature—as specified by the MoJ

Installation

- Protective cover band and base plate secured to ceiling or wall via 8mm sleeve anchors
- Removable GearTray and LED engine plate
- Lens secured by M6 TORX security screws (TX30 BO driver)

For additional details on the Protectalux LED product or other lighting products and solutions in the Light Years Ahead portfolio, please do not hesitate to contact our expert team using the contact information below.

