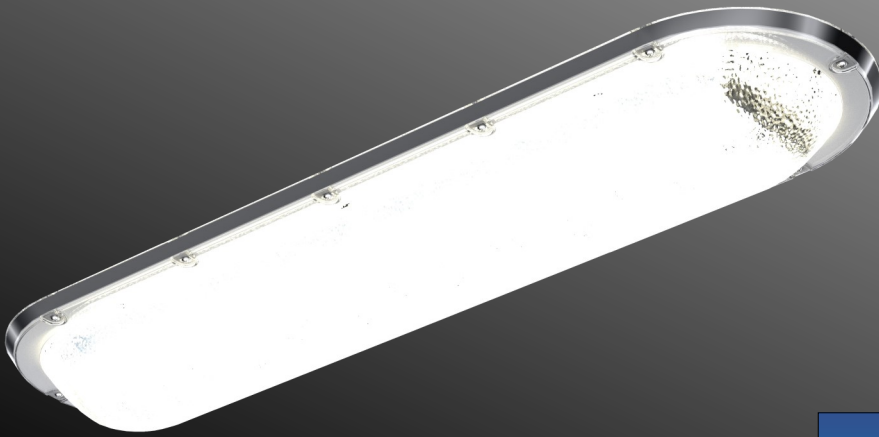


# Protectalux LED

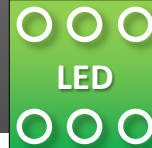
## 1105 LINEAR

### LUMINAIRE



IK 10++

IP 65



### Introduction

**Light Years Ahead Ltd (LYA)** is a leading UK manufacturer of anti-ligature, vandal resistant lighting solutions for the custodial, healthcare, civil and industrial sectors.

LYA have established a leading position in the custodial sector

with thousands of luminaires installed in prisons, courts and police stations across the UK and abroad. LYA's Enduralux and Protectalux brands are renowned for their durability and include a range of Ministry of Justice approved products for use in safer and standard cells.

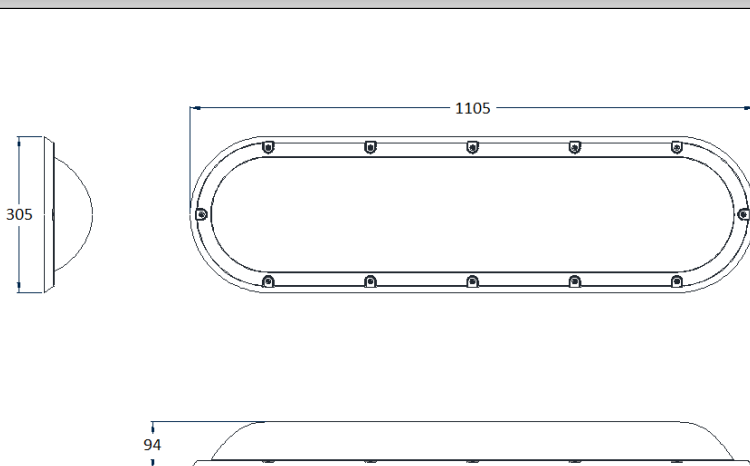
### Primary Applications

<b>Custodial</b>	Prison, police custody suite and law court corridors, washing rooms, association areas
<b>Healthcare</b>	Wards, corridors, washing areas

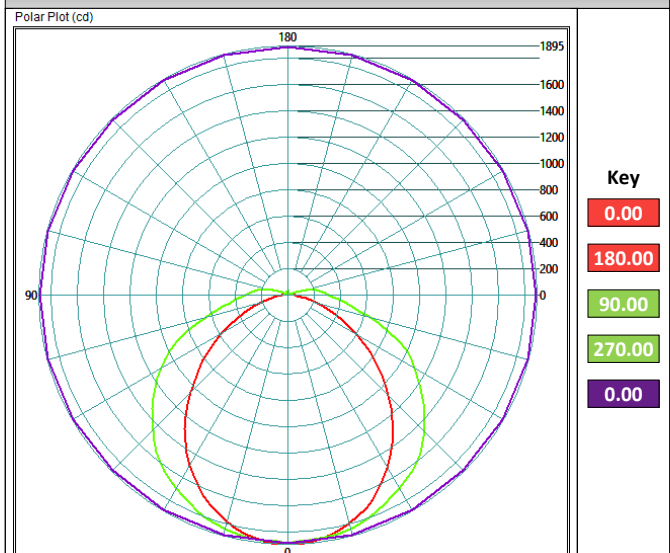
### Features & Benefits

- Anti-ligature, vandal resistant luminaire suitable for high risk environments
- High impact resistant (IK 10++) 5mm polycarbonate lens secured by tamper proof TORX security screws
- 1.5mm zintec coated mild steel powder coated (RAL 9003) base plate
- Removable GearTray and LED engine mounting plate
- Tridonic electronic componentry
- Suitable for ceiling or wall mounting
- Conduit entry through centre of base plate
- Dimmable, night-light and integral 3-hour duration emergency battery pack options
- Various colour and light output options
- Fully compliant with BS EN 60598-1

### Product Dimensions



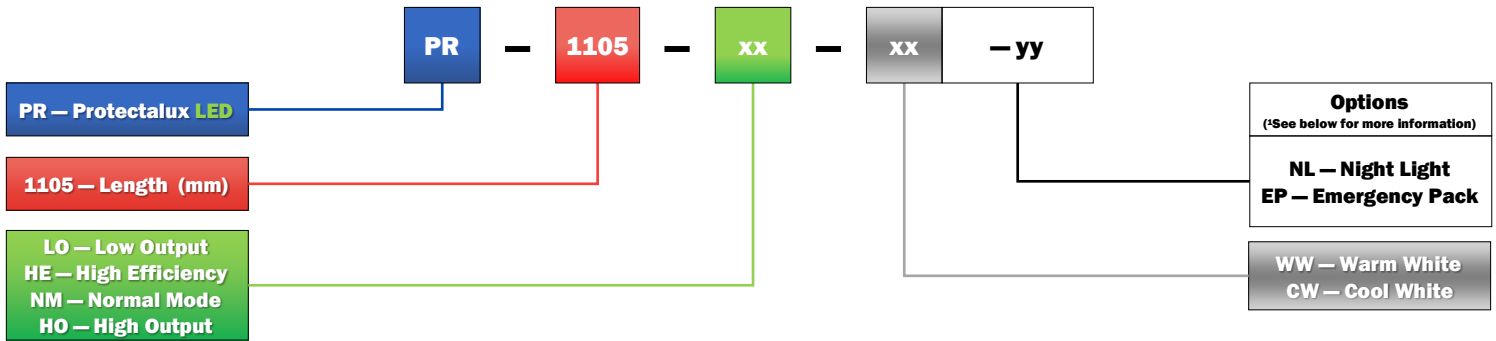
### Polar Plot: PR-1105-NM-CW



# Protectalux LED 1105 LINEAR LUMINAIRE

## Ordering Guide & Lighting Data

IES / LDT Files available on Request



### LIGHTING DATA—5MM CLEAR LENS

Product Code	CRI	Colour (CCT)	Lumens (Lum)	Wattage (W)	Lum / W	Weight (Kg)
PR-1105-LO-WW	>80	3000k	2,957	28	104	7.0
PR-1105-HE-WW	>80	3000k	4,114	38	107	7.0
PR-1105-NM-WW	>80	3000k	5,898	56	105	7.0
PR-1105-HO-WW	>80	3000k	7,881	80	98	7.0
PR-1105-LO-CW	>80	4000k	3,106	28	110	7.0
PR-1105-HE-CW	>80	4000k	4,321	38	116	7.0
PR-1105-NM-CW	>80	4000k	6,195	56	110	7.0
PR-1105-HO-CW	>80	4000k	8,277	80	103	7.0

### Options

- Night-light—add suffix NL
- Integral 3 hour emergency battery pack—add suffix EP (Basic Test), EPST (Self-Test), EPAT (Automatic Test)

### Installation

- Back plate secured to ceiling or wall via 8mm sleeve anchors
- GearTray and LED mounting plate secured by M4 NYLOC nuts
- Lens secured by M6 TORX security screws (TX30 BO driver)

For additional details on the Protectalux LED product or other lighting products and solutions in the Light Years Ahead portfolio, please do not hesitate to contact our expert team using the contact information below.

